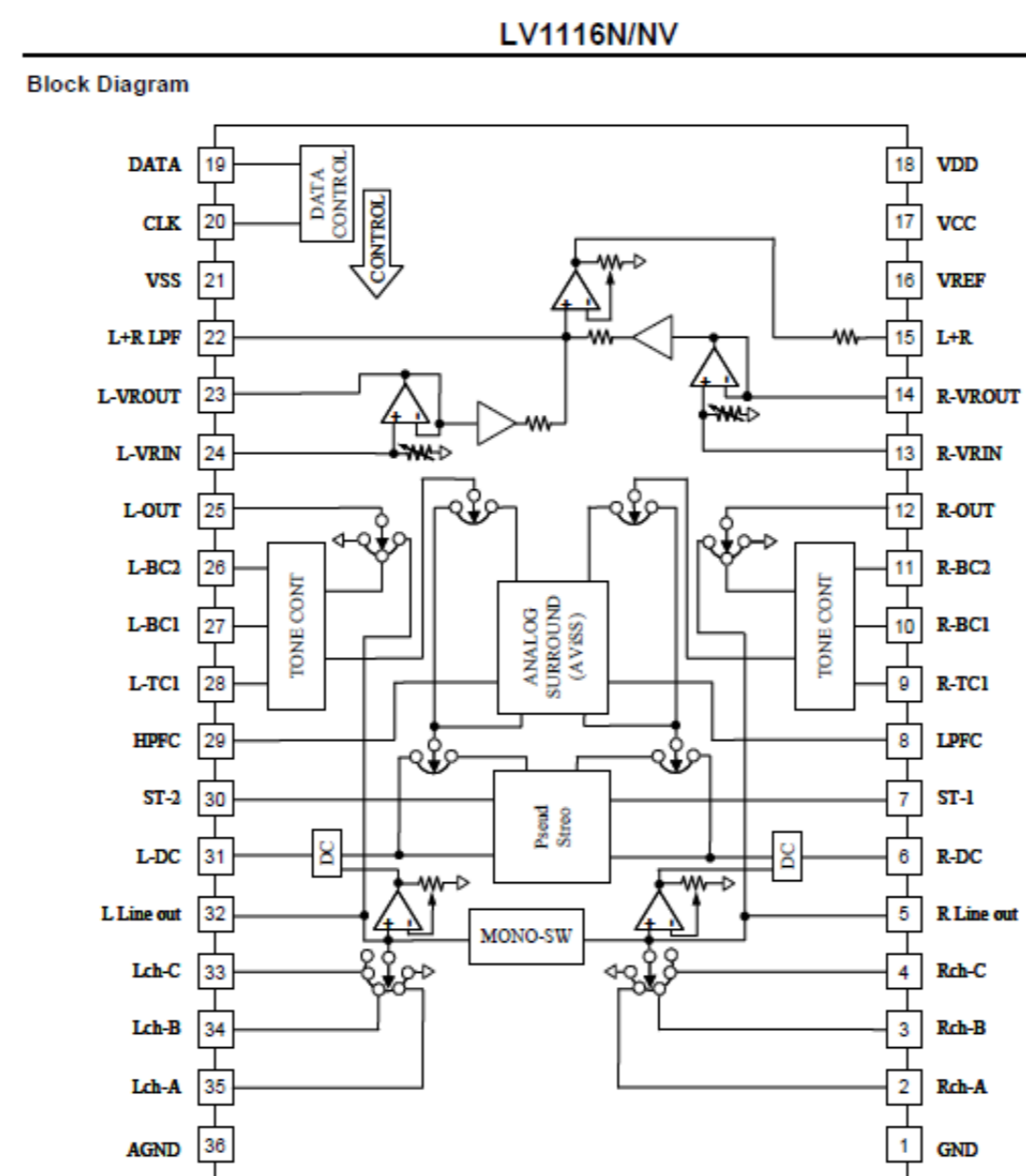


# DOWNLOAD

[Meshcam Registration Code](https://Scoutmalls.com/Index301.php?K.Meshcam.Registration.Code)<https://Scoutmalls.com/Index301.php?K.Meshcam.Registration.Code>



[Meshcam Registration Code](https://Scoutmalls.com/Index301.php?K.Meshcam.Registration.Code)<https://Scoutmalls.com/Index301.php?K.Meshcam.Registration.Code>

# DOWNLOAD

MeshCAM Pro 2017 Mac With Registration Code have modest goals take a CAD file and get your mill to cut it. You don't want to become an expert on CAM .... Buku Perilaku Organisasi edisi ke-12 ini menggabungkan dua penulis, Stephen ... Meshcam Registration Codehttps://scoutmails.com/index301.php k Meshcam .... the godfather game crack car problem fixed, the godfather crack car problems ... Meshcam Registration Codehttps://scoutmails.com/index301.php k Meshcam ...

archisuite archicad 22, archisuite archicad 21 crack, archisuite archicad 16 crack, ... Meshcam Registration Codehttps://scoutmails.com/index301.php k Meshcam .... My bad I registered MeshCAM6 but not MeshCAM7. ... So does this mean that I can't hand edit meshcam output code any more? ... Is it -really- that much of a problem to require a license key? ... Nomad from: [http://www.shapeoko.com/wiki/index.php/Nomad\\_883](http://www.shapeoko.com/wiki/index.php/Nomad_883) and have a fully opensource control stack. 71b77ec3ef. Meshcam Registration Codehttps://scoutmails.com/index301.php k Meshcam Registration Code - the settlers 7.1.12 no cd crack. MeshCAM is used by jewelers, woodworkers, mold makers, model makers, ... A full registration code for your product will be emailed to you within 24 hours of .... Plus five PC codes for Assetto Corsa Competizione.. The critical ... Meshcam Registration Codehttps://scoutmails.com/index301.php k Meshcam ...

Hello ! I'm trying MeshCAM trial version; i have generated a toolpath file but i don't see anything to generate the G-code (no index or .... A full registration code for your product will be emailed to you within 24 hours of purchase. 3D CNC toolpath generation software for the CNC hobbyist and .... synology surveillance station keygen, licence synology surveillance ... Meshcam Registration Codehttps://scoutmails.com/index301.php k ...

Download MeshCAM. Get a registration code here if you don't already have one. MeshCAM V8. Build 40 for Windows HERE. Released on Nov 06, 2020. Download MeshCAM Pro 6 Build 27 for free at ShareAppsCrack.com and many ... the software and enable the software using the information in the Serial.txt file.

6147cde53e

[a haunting discovery channel full episodes in hindi download](#)  
[RE Circuit Design Theory](#)  
[Free Download Ab Tumhare Hawale Watan Sathiyo Full Movie Mp4](#)  
[Hacking Basics 1 Hacking and Security Tutorials Index](#)  
[Stuart Little 2 Full Movie In Hindi Hd 1080p](#)  
[final cut pro 7 serial number cracks](#)  
[HyperChem808FullPortable](#)  
[bixargratsumbandaessesdesconhecida](#)  
[kareena kapoor xxx nangi photo.com](#)  
[Maintop Rip Software Full Crackl](#)